

# INSTRUCTIONS

English

## Gobi II Condensate Pump 3004045



HVAC/R  
Service Products



## Contents

Introduction	02
General information	02
Important safety notice	02
Technical data	03
Product description	04
Transport and storage	06
Commissioning	06
Maintenance	12
Return and disposal	13
Troubleshooting	14
Replacement parts	15

## Introduction

Thank you for purchasing our all new Gobi II condensate pump. The Gobi II has been completely redesigned retaining all the good features you like and upgrading everything else. Its digital water sensor, universal voltage and user configurable flow ensure it is the strongest, quietest under A/C mounted condensate pump on the market today.

## General information

REFCO products have been specially designed and manufactured for use by trained refrigeration and air-conditioning service engineers only. REFCO explicitly states that their products must only be sold to professionally trained service engineers.

These operating instructions contain important information about handling the Gobi II. Safe operation of the device requires adherence to all safety instructions and operating guidelines.

- The local safety regulations applicable to the area in which the Gobi II is being used should also be adhered to, along with general safety guidelines.
- The operating instructions are part of the product and should be stored in close proximity to the Gobi II where they should be readily accessible to qualified personnel at all times.
- The qualified personnel must have carefully read and understood the operating instructions prior to operating the device.
- The manufacturer shall not be liable for any damage whatsoever arising through improper use, failure to comply with these operating instructions, assignment of inadequately qualified personnel, or unauthorised modification of the Gobi II.
- The general terms and conditions as set out in the sales documentation shall apply.

## Symbols and writing standards



### WARNING/CAUTION

An appropriate safety instruction should be followed or caution to a potential hazard exists.



### DANGEROUS VOLTAGE

To indicate hazards arising from dangerous voltages.



**Please read all safety and installation instructions completely before commencing.**



**For indoor use only.**

The identify electrical equipment designed primarily for indoor use



**Waste of Electrical and Electronic Equipment (WEEE)** Do not throw the pump in domestic waste



**CE compliant**

Certification mark that indicates conformity with health, safety and environmental protection standard for products



**ETL recognized component**

This product has been tested and meets the applicable published standard for North America and Canada



**RoHS compliant**



**Regulatory Compliance Mark (RCM)**

Compliant with the electrical safety requirements of Australia and New Zealand

## Safety instructions



Please read all safety and installation instructions completely before commencing.

To prevent any risk only certified and appropriately trained staff with sufficient technical training and tools shall install this product. Product installation and electrical connections both require professional training for safe installation and correct product operation.

**Save these instructions for further reference.**



For indoor use only. To identify electrical equipment designed primarily for indoor use. Not submersible.

The Gobi II condensate pump is to be installed in accordance with local and regional electrical codes.



**WARNING:** Disconnect all electrical power before starting installation, maintenance, or service work.



**WARNING:** Disconnect electrical power before removing and checking internal fuse.



**CAUTION:** Do not install the REFCO condensate pump if there are any signs of damage.



**WARNING:** Check the cables REFCO condensate pump power and alarm cords prior to, during and periodically for signs of damage. If either the power or alarm cords are damaged, isolate and disconnect the condensate pump from service. Contact REFCO for a replacement.



The Gobi II combined power/alarm cable lead-out is non-replaceable. If this is damaged the entire pump must be replaced.



**WARNING:** The REFCO condensate pump cables should not be cut, and should be routed so that they cannot be damaged during and after installation.

**CAUTION:** All tubing connections are to be secured in place on the barb connections using self-locking cable tie-wraps.

**DO NOT** use tools to connect the tubing.

**DO NOT** operate this product in ambient temperatures below 5 °C (41 °F).

**DO NOT** operate with incoming water above a temperature of 40 °C (104 °F).

**CAUTION:** Do not allow any chemicals to come in contact with this condensate pump. Please remove the pump and water sensor before using any coil cleaning solutions and other chemicals. Flush the evaporator coils with water before reinstalling the condensate pump and water sensor.

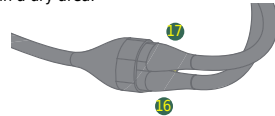
Ensure the coils are chemical free before reinstallation.

**CAUTION:** In all installations where any property damage and or personal injury may result from an inoperative, failed, incorrectly

installed or leaking condensate pump, it is strongly recommended that the alarm relay shall be used in fail-safe mode to completely shut down the air conditioning unit, should a pump failure occur.



Supply cord with connector **16** **17**, has only IPX0 and must be mounted in a dry area.

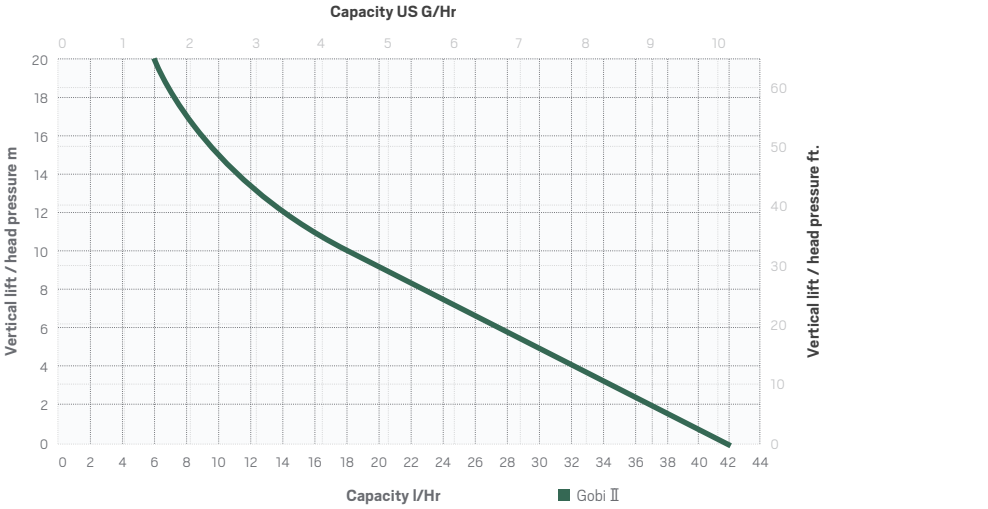


**Technical data**

Maximum flow rate:	42 l/Hr. (11 GPH)
Maximum suction:	3 m (9.80 ft.) self priming
Maximum head:	20 m (65.60 ft.)
Maximum horizontal run:	100 m (330 ft.) at 0 head and 0 suction
Sound:	19dBA at 1 m DIN EN ISO 3741:2011 / DIN EN ISO 3744:2010
Voltage:	100 ~ 240 VAC 50/60 Hz auto sensing universal power input
Power:	8 watts during maximum operation at 110v
Alarm relay:	10 Amps NO or NC contacts with integrated replaceable 10A fuse 5 x 20 mm
Weight:	1'100 g (2.45 Lbs.)
Discharge star tube:	6.25 mm I.D. (1/4") x 1 m (3.3 ft.)
Packaging dimensions:	250 x 340 x 54 mm (9.9 x 13.4 x 2.1 inches)
Bulk pack dimensions:	10 Pcs dimensions are 590 x 265 x 365 mm (23.2 x 10.4 x 14.4 inches)
Color:	RAL #9003 white
Protection:	Class II double insulation, fully potted, IP-44
Operation temp:	Ambient 3°C to 40°C (37.5°F to 104°F) / Water 5°C to 25°C (41°F to 77°F)
Compliance:	Conforms to UL: 778 and certified to CSA C22.2 #68

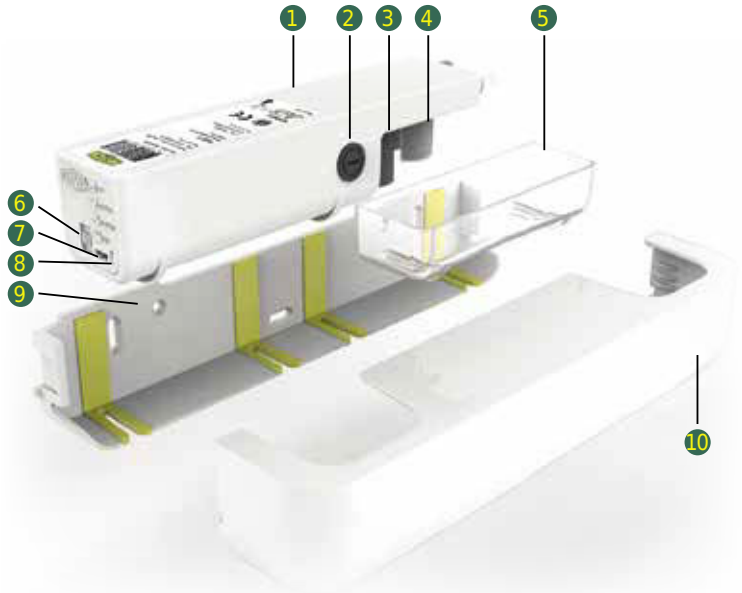


**Capacity**

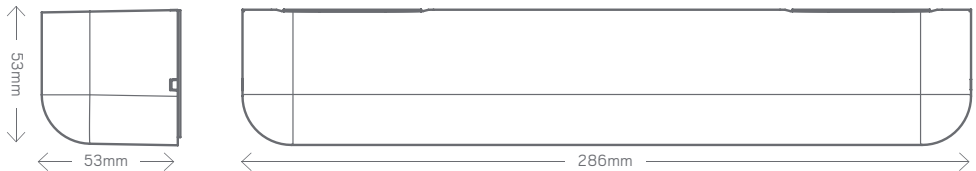


## Product description



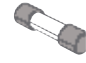

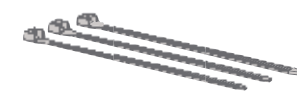



- 1 Pump body
- 2 Factory-installed fuse
- 3 Replaceable filter
- 4 Digital sensor
- 5 Water tray
- 6 Dip-switches
- 7 USB port
- 8 Diagnostic LED
- 9 Wall back plate
- 10 Cover



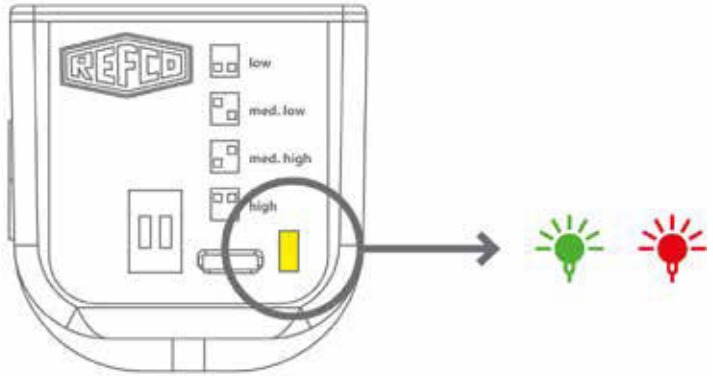
## Dimensions pump





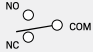
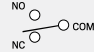
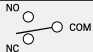
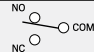
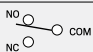
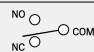
## Provided accessories

- |  |  |  |  |
|--|--|--|--|
| <p>11</p>                            | <p>12</p>                     | <p>13</p>                     | <p>14</p>                                  |
| <p>Screws, 3 pcs.</p>  | <p>Star tube and Stop-Siphon device</p>  | <p>Alarm relay HR 10A fuse /<br/>Part No. 3004050</p>  | <p>Screw anchors, 3 pcs</p>  |
| <p>15</p>  <p>Cable ties, 3 pcs.</p> | <p>16</p>  <p>Power cable</p> | <p>17</p>  <p>Alarm cable</p> | <p>18</p>  <p>Wire nut, indoor use only</p> |

**LED alarm relay indications**











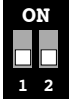
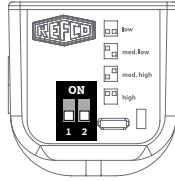
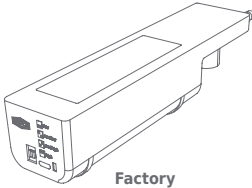
**LED alarm relay operation table**

			
		NC (normally closed)	NO (normally open)
Pump status	Condensate level	Default operation	Fail-safe operation
Not powered	N/A		
Powered	Below alarm level		
Powered	Alarm-activated		

\* Alarm relay operation is user configurable see page 9 \*

**LED indications in operation**

<b>No power</b>		Pump is miswired or no incoming voltage. Problem with A/C system or alarm is miswired.
<b>Start up LED sequence (default) NC</b>		Alternating red/ green flashes 5x only then stops and goes to standby mode.
<b>Start up LED sequence (fail safe) NO</b>		Alternating red/ green flashes 5x only then stops and goes to standby mode.
<b>Standby mode - waiting for water</b>		Blinking green continuously.
<b>Pumping water</b>		Solid green. Running in low, med low, med high, or high power config. normal operation.
<b>High water level mode</b>		Blinking red. Running above high water level.
<b>Alarm mode - relay activated</b>		Solid red. Pump cannot keep up with water input. To prevent water overflow break power to A/C until water level reduces.
<b>Reconfigure code</b>		Pump has had 3 extra long run cycles, reconfigure dip- switches for more capacity.



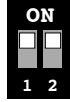
**low**  
up to 18K Btu/h  
(5.3kW)



**medium low**  
up to 42K Btu/h  
(12kW)



**medium high**  
up to 72K Btu/h  
(21.1kW)



**high**  
up to 120K Btu/h  
(35kW)



#### Ratings for air conditioning units

**The rating of the condensate pump has to be adjusted according to the power of the conditioning unit.**

## Transport and storage

### Transport

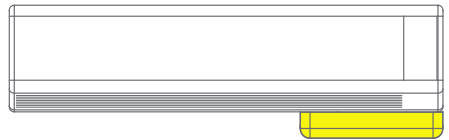
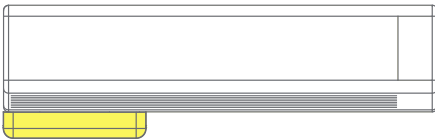
Inspect the GOBI II for any potential transportation damage. Any obvious damage should be reported to the vendor immediately.

### Storage

- Storage temperature: -20 °C to +60 °C
- Humidity: 0 to 90% relative humidity (no condensation)

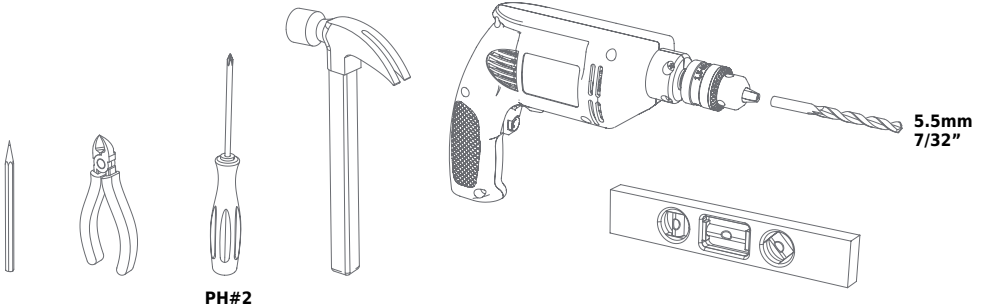
## Commissioning

### Application

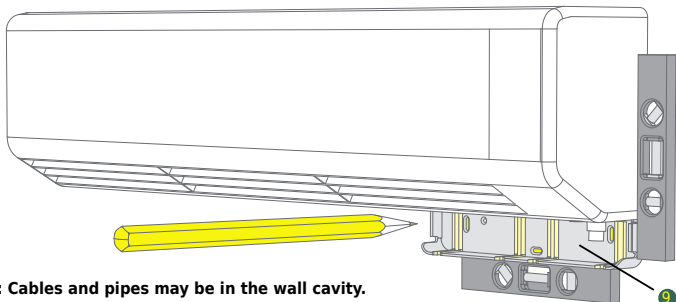


The Gobi II pump can be mounted on the right or left side of an evaporator unit.

### Tools needed

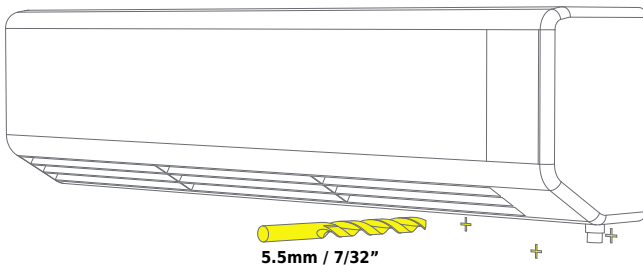


1

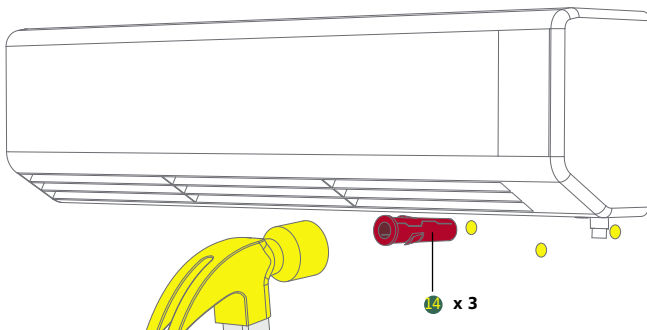


**CAUTION:** Cables and pipes may be in the wall cavity. Be carefull while drilling anchor holes.

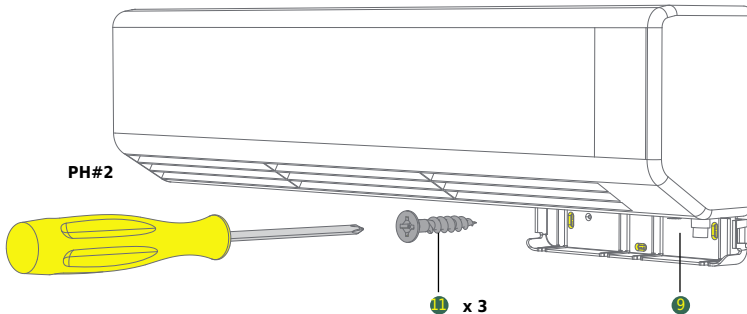
2



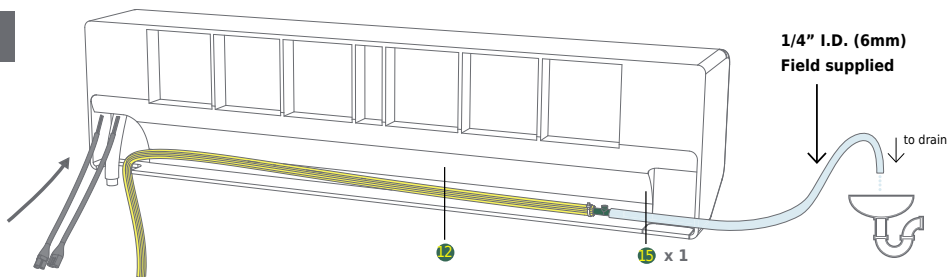
3



4



5



6



**WARNING:**  
Disconnect all electrical power before starting installation, maintenance, or service work.



**INPUT POWER:**  
100-240V, 50/60Hz, 2.5A (Max)



Installations only made by qualified people.



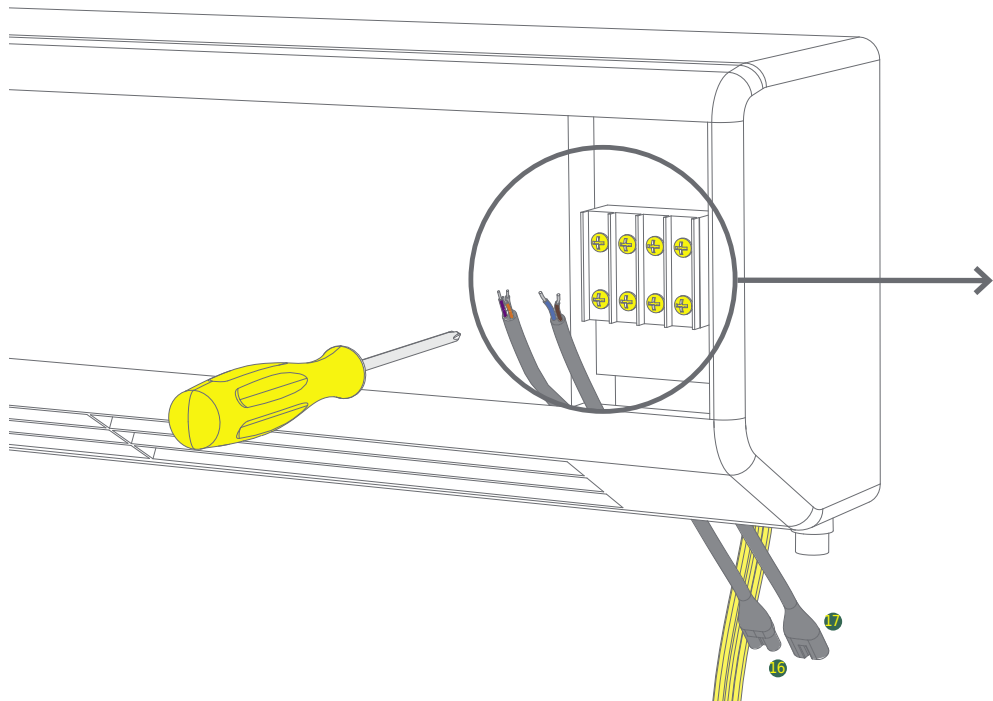
The alarm relay fuse must be rated for the specific application and of the HR type, 5 x 20mm 250 VAC, 10A (Max)



Plug connections have to be completely dry.



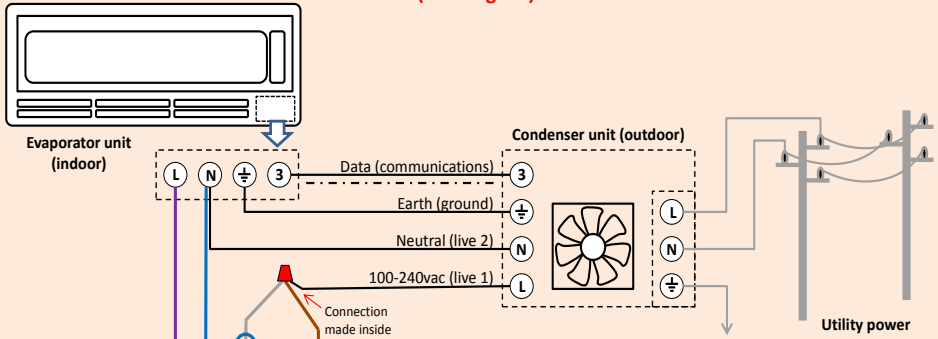
Supply cord with connector **16** **17**, has only IPX0 and must be mounted in a dry area.





Below are examples of how REFCO pumps can be installed. For reference only.

**When indoor evaporator unit is powered from the outdoor condenser unit  
(drawing # 1)**



**Alarm relay operation table**

Pump status	Condensate level	Or	
		NC default operation	NO fail-safe operation
Unpowered or (pump failure)	n/a	NO  COM	NO  COM
Powered	Below alarm level	NO  COM	NO  COM
Powered	Alarm activated	NO  COM	NO  COM

To change alarm relay operation

- Unplug pump
- Move dip-switch positions to
- Plug pump in
- Wait for one green LED blink
- Move dip-switch positions to
- Wait for one red LED blink
- Reset dip-switch positions to
- Wait for one green LED blink
- Unplug pump
- Set the dip-switches back to the desired capacity configuration. (Low, medium-low, medium-high, high)
- Plug pump in and check that power up LED sequence matches the desired alarm relay operation
- Done!

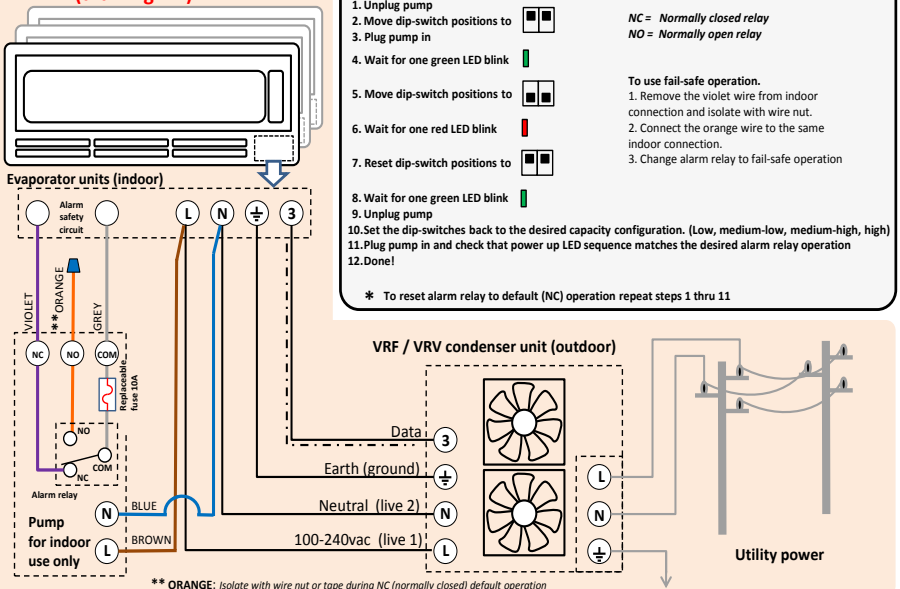
NC = Normally closed relay  
NO = Normally open relay

To use fail-safe operation.

- Remove the violet wire from indoor connection and isolate with wire nut.
- Connect the orange wire to the same indoor connection.
- Change alarm relay to fail-safe operation

\* To reset alarm relay to default (NC) operation repeat steps 1 thru 11

**When multi-split system is installed  
(drawing # 2)**

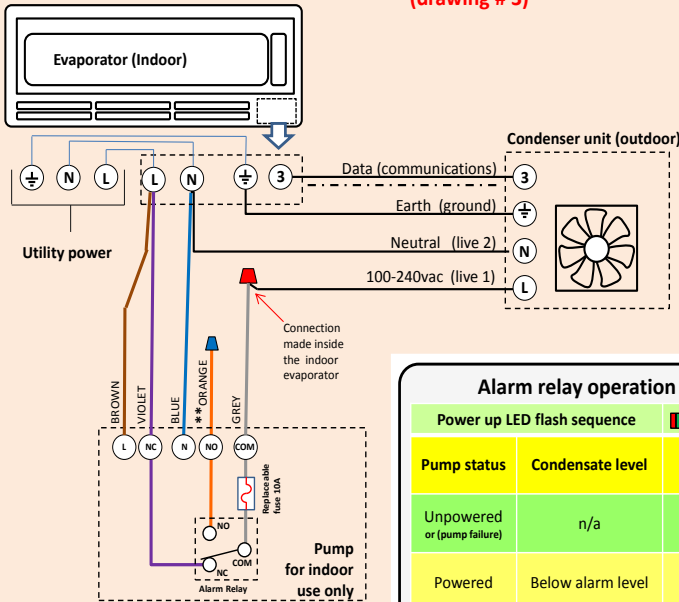


\*\* ORANGE: Isolate with wire nut or tape during NC (normally closed) default operation

\*\* ORANGE: Isolate with wire nut or tape during NC (normally closed) default operation

Below are examples of how REFCO pumps can be installed. For reference only.

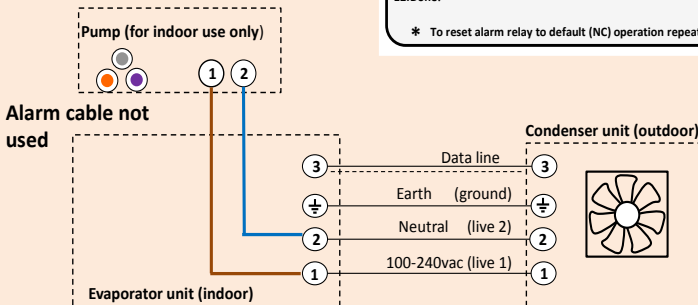
**When outdoor condenser is powered from the indoor evaporator unit**  
(drawing # 3)



**\*\* ORANGE:** Isolate with wire nut or tape during NC (normally closed) default operation

**Power only with no alarm circuit**  
(drawing # 4)

**Not recommended:** Water damage can occur if drain line becomes kinked, pinched or plugged. Water damage can occur if pump fails.



**Alarm relay operation table**

Power up LED flash sequence		Or	
Pump status	Condensate level	NC default operation	NO fail-safe operation
Unpowered or (pump failure)	n/a	NO  NC  COM	NO  NC  COM
Powered	Below alarm level	NO  NC  COM	NO  NC  COM
Powered	Alarm activated	NO  NC  COM	NO  NC  COM

**To change alarm relay operation**

1. Unplug pump
2. Move dip-switch positions to
3. Plug pump in
4. Wait for one green LED blink
5. Move dip-switch positions to
6. Wait for one red LED blink
7. Reset dip-switch positions to
8. Wait for one green LED blink
9. Unplug pump
10. Set the dip-switches back to the desired capacity configuration. (Low, medium-low, medium-high, high)
11. Plug pump in and check that power up LED sequence matches the desired alarm relay operation
12. Done!

NC = Normally closed relay  
NO = Normally open relay



**To use fail-safe operation.**

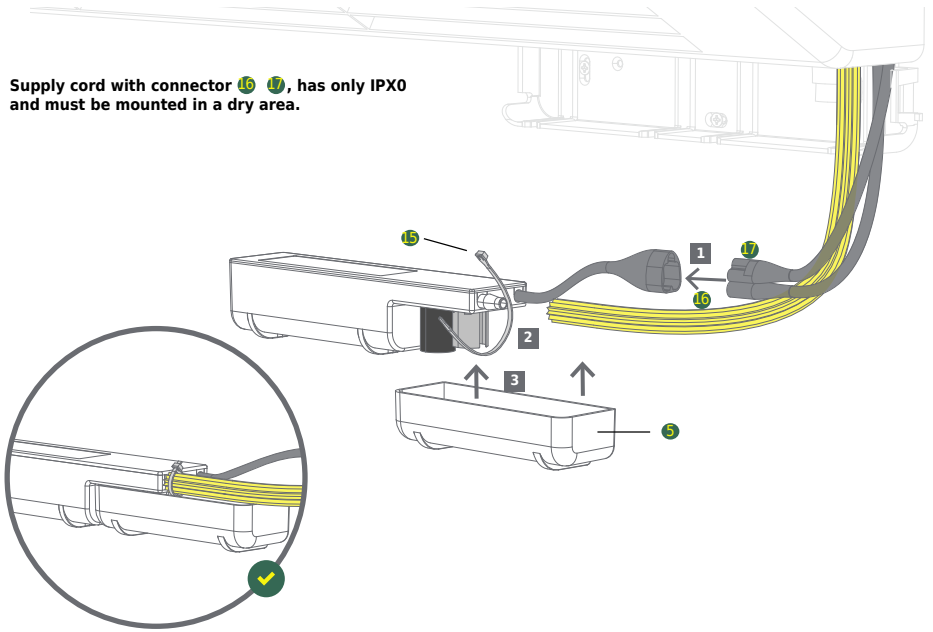
1. Remove the violet wire from indoor connection and isolate with wire nut.
2. Connect the orange wire to the same indoor connection.
3. Change alarm relay to fail-safe operation

\* To reset alarm relay to default (NC) operation repeat steps 1 thru 11

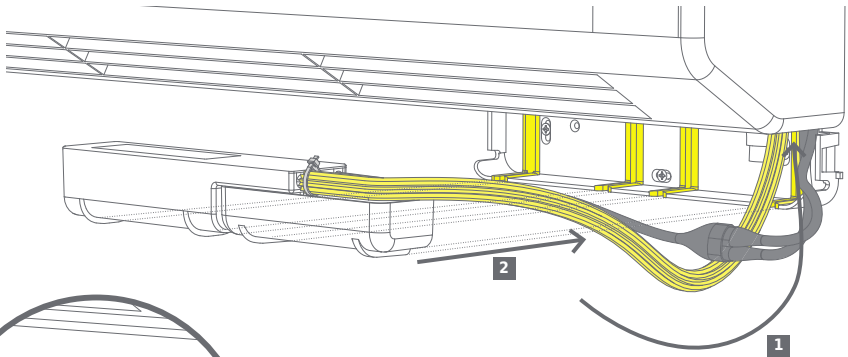
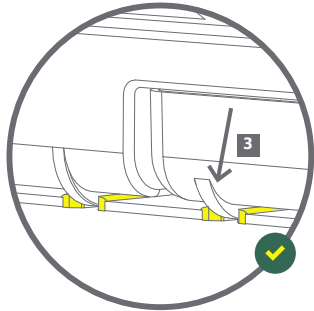
7

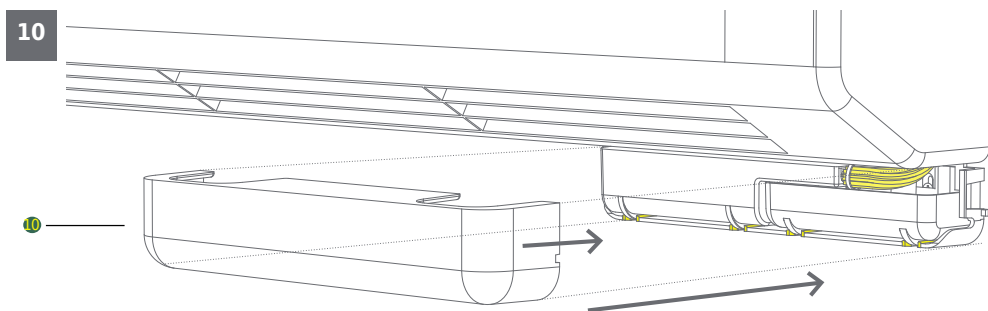
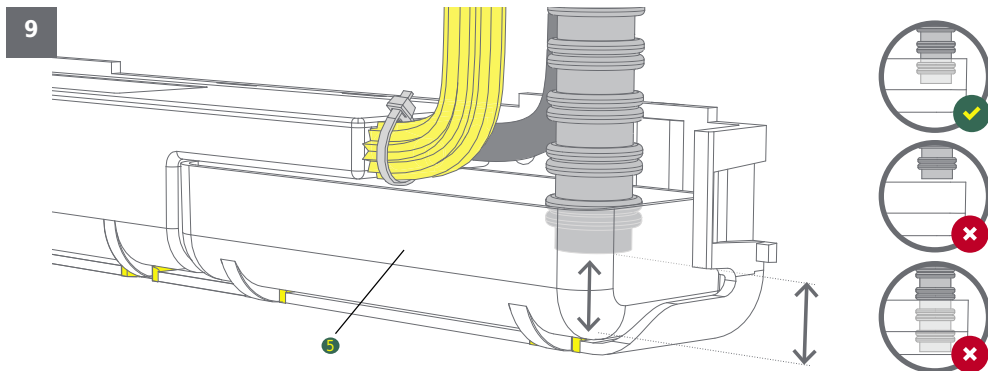


Supply cord with connector  , has only IPX0 and must be mounted in a dry area.



8





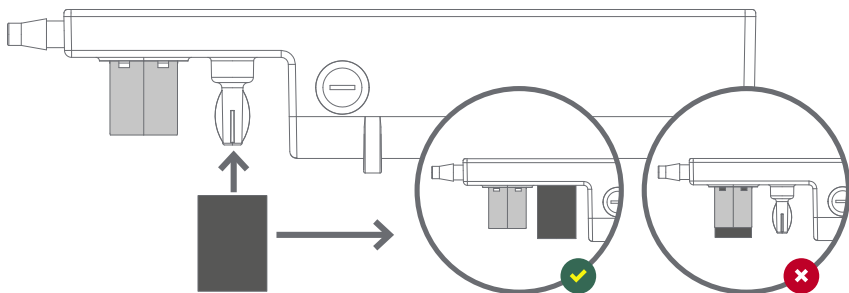
## Maintenance

### Water filter maintenance

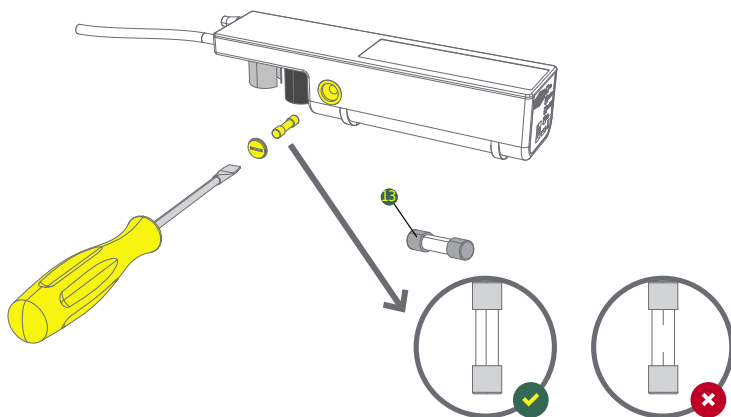
Regular cleaning / replacement of the Gobi II water filter will help to prolong the life of the pump. The sole purpose of the water filter is to prevent foreign debris from entering the pump itself. The time period between filter service can only be determined from the specific environment in which the pump is installed. We recommend cleaning or replacing the water filter a minimum of every 12 months. However, when installed in environments with high dust, smoke, cooking oils or the possibility of algae growth it is recommended to clean or replace the filter every 3 months.

To clean / replace the water filter, simply remove it from the Gobi II suction barb and thoroughly wash with cold water and replace on the pump suction barb.

### Change filter



### Change alarm fuse



**WARNING:**  
Disconnect all electrical power before starting installation, maintenance, or service work.



The alarm relay fuse must be rated for the specific application and of the HR type, 5 x 20 mm 250VAC, 10A (MAX)



Installations only made by qualified people.

### Return and disposal

At the end of useful life of the condensate pump send the product to the separate collection for electric and electronic devices. (According to local regulations)

## Troubleshooting

Fault	Correction
<b>No LED lights</b>	Check for incoming voltage. The blue and brown wires are for power.
<b>Pump runs constantly</b>	<p>Check filter placement. The water filter should not touch the digital sensor.</p> <p>Check the digital sensor for dirt, mold or debris. Clean with water.</p> <p>Check all tubing connections and ensure they are firmly pressed on the connection barbs and secured using cable ties. Check the entire drain line for clogs, kinks or the tube being pinched.</p> <p>If the pump is running constantly and water is flowing from the end of the drain line then you need to change the dip-switch power settings to increase the pump's capacity. The system has too much water or lift for the pump's current power setting.</p>
<b>A/C unit is off</b>	<p>Check the pump LED status light. If it's solid red (not blinking) AND the alarm wiring is connected properly, then the pump alarm relay is intentionally stopping the A/C unit from running. This prevents water overflow and possible water damage. This is the correct function of a condensate pump alarm relay.</p> <p>If the alarm wiring has been used, check the HRC alarm fuse for continuity using a multimeter and replace it if necessary. Glass fuses can be inspected visually.</p> <p>If the alarm wiring has been used, check that the color of wires used matches the alarm mode (default vs fail-safe) you have selected: grey + violet for default (N/C) alarm mode or grey + orange for fail-safe (N/O) alarm mode.</p> <p>If the alarm wiring has been used and the wiring is correct, check the status LED; if it is OFF, with no LED lights at all, then there is a fault either with the power main supply to the pump or with the pump itself.</p> <p>During alarm status the pump itself will continue to run to decrease the water level even when the A/C unit is not running. Once the water level is low enough, the pump will automatically reset the alarm relay to re-connect power back to the A/C unit. Please note: Many outdoor A/C units have a 5 min. time delay before they turn on the compressor and resume normal cooling operation.</p>
<b>Alarm is activated</b>	<p>If the alarm is activated (LED is solid red), the pump has too much incoming water for it to keep up. Once the water level gets too high on the digital sensor it will trip the alarm relay and stop power to the A/C system. (Only if the alarm wiring is used). The drain line could be blocked, kinked or pinched. You may have incorrect capacity settings on the pump relative to the capacity of the A/C unit and or a high lift vertical run.</p>
<b>Water is dripping</b>	<p>Check to ensure the alarm cable is correctly installed according to the appropriate wiring diagrams. Please note: There are different diagrams according to different types of A/C systems.</p> <p>If the alarm is not used and the drain line gets blocked, kinked or clogged, the pump can overflow. This is why you should always use the alarm function.</p> <p>Check all your hose connections. If you have a high head pressure (long vertical run), the water pressure can blow a hose off its barb. This is why you should always use the factory supplied cable ties.</p> <p>With Gobi II pump: Ensure the wall back plate, the water tray and the Gobi II pump body are all mounted and installed level.</p>
<b>Pump is noisy</b>	<p>Check the filter placement. If the water filter is touching the digital sensor, the digital sensor may believe it is water and activate the pump causing it to run dry when it should not be running at all.</p> <p>Clean the digital sensor and the filter with water.</p> <p>Configure pump capacity correctly according to the A/C capacity and lift rise and run of the drain line. (See dip-switch settings in installation instructions).</p>
<b>Slurping or gurgling</b>	<p>Check for and correct a siphon in the drain line. (Review siphon specific instruction sheet). If the drain line extends below the level of the pump, when the pump shuts down, the weight of the water remaining in the drain line will create a siphon effect which will suck water away from the pump causing the pump to start and run dry until reprimed with water. This can cause slurping and gurgling noises. Correctly install your drain line to prevent a siphon from occurring.</p>
<b>LED lights flash</b>	<p>Immediately on initial power-up the pumps will always have a LED start sequence 5x and then go into standby (blinking green). This is normal operation. This LED start sequence is the only indication of which way the alarm relay is currently configured. NO (Normally Open) or configured in NC (Normally Closed). The alarm relay is user configurable and can be changed back and forth. (See wiring diagram instructions).</p>
<b>3 red &amp; 3 green LED flashes</b>	<p>This is the pump reconfigure code. The pump is asking for help! If it has had 3 consecutive long run cycles where it went from standby mode all the way into alarm mode, it is asking to be re-configured for more power as its current dip-switch power settings are too low for the incoming water flow, lift or both. Give it more power by reconfiguring the dip-switch settings. This reconfigure code will only appear after 3 consecutive long run cycles that went into alarm mode.</p>

**Replacement parts and accessories**

**HSG-4065/4**  
Stop-Siphon Device, 4 pcs.  
Part No 3004065



**FIL-4064/4**  
Filter, 4 pcs.  
Part No 3004064



**FUS-4050/10**  
Fuses 5x20 10A, 10 pcs.  
Part No 3004050



**KIT-4087**  
Star tube with Stop-Siphon device  
Part No 3004087



**PVC-TUBE**  
Plastic tube 6 mm (1/4"),  
minimum 30 meters  
Part No 4679160

# INSTRUCTIONS

HVAC/R  
Service Products



**REFCO Manufacturing Ltd.**  
Industriestrasse 11  
6285 Hitzkirch - Switzerland

Telefon +41 41 919 72 82  
Telefax +41 41 919 72 83

[info@refco.ch](mailto:info@refco.ch)  
[www.refco.ch](http://www.refco.ch)